

Model OT-10T1L-CON

SPE Adapter

Product Datasheet



OT-10T1L-CON is an SPE adapter which can transmit network data over twisted-pair cables, including 2-core cable, UTP, or shielded cable.

When used as a pair, the solution includes one transmitter and one receiver, installed directly at both ends of the twisted-pair cable.

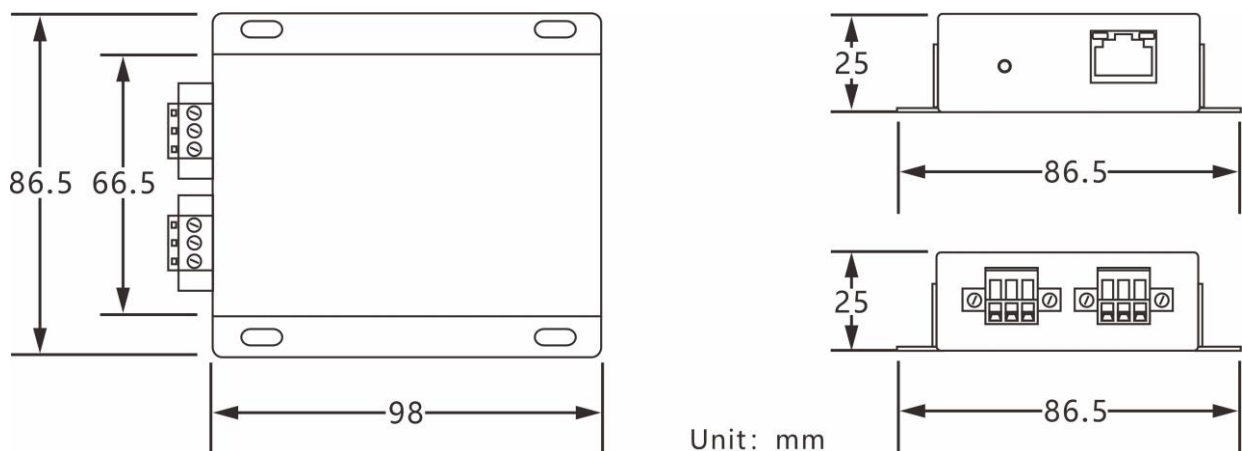
This solution can also be used to upgrade legacy networks, such as LONworks, RS485, and 4–20mA control loops. By reusing existing 2-wire cabling, it helps reduce installation time and rewiring costs.

The product can transmit 10BASE-T data up to 1,000 meters using dedicated SPE cable.

Features

- ☆ Transmission distance up to 1,000 meters with 16 AWG / 18 AWG cable
- ☆ Maximum real-time data rate: 10 Mbps
- ☆ Supports wide-range voltage power input
- ☆ Plug and play, transparent transmission, no adjustment required, and no changes to upper-layer software needed
- ☆ Low power consumption, dynamic communication channel adjustment, and high-performance error correction coding technology

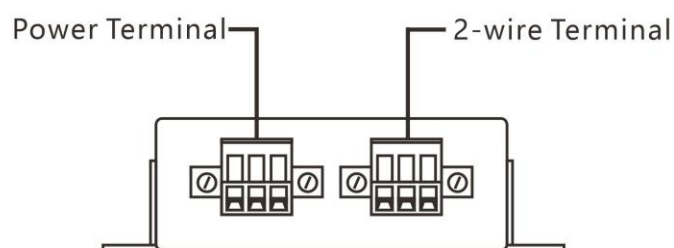
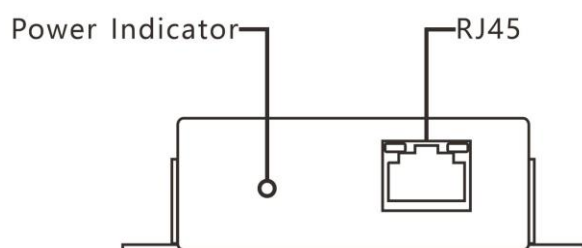
Dimension



Unit: mm

Note: Dimension error value ± 1 mm

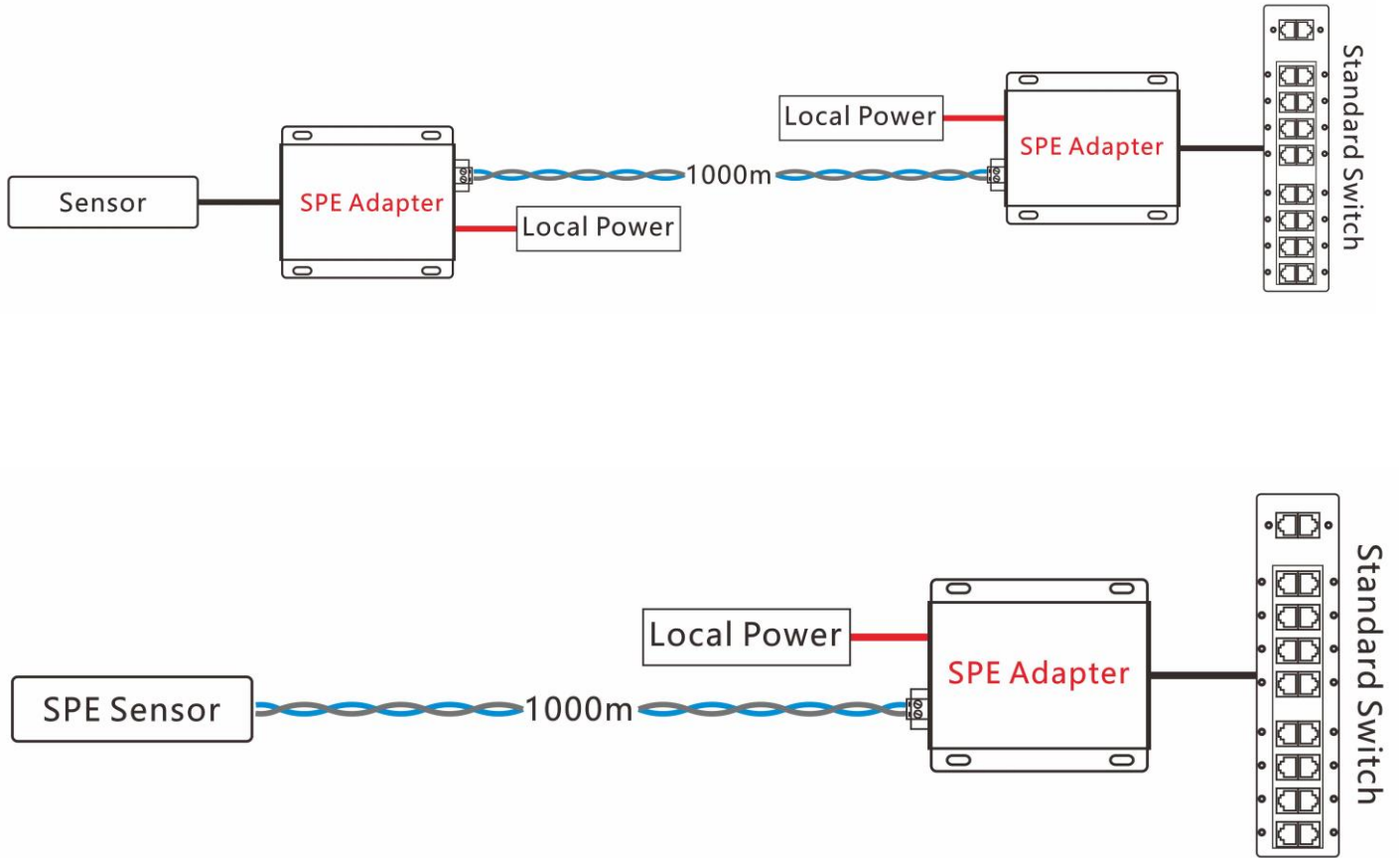
Interface Description



Technical Parameter

Category		Description
Power	Available Voltage Range	12~24VDC
	Power Consumption	≤2W / PC
Transmission / Rate	Standard Compliance	IEEE1901, IEEE802.3, IEEE 802.3cg
	Up Down Agreement	10BASE-T1L
	Bandwidth	Full duplex 10Mbps
Physical Characteristic	Dimensions (L × W × H)	98×86.5×25mm
	Material	Aluminum Alloy
	Net Weight	165g / PC
Operating Environment	Working Temperature	-20℃~60℃
	Working Humidity	<95% (Non-condensation)

Installation Diagram



Shaoxing Ourten Electronics Co., Ltd.

#1 Liando U Valley, No. 1999 Wuxing West Road, Shangyu, Zhejiang, China

Tel: +86-21-5888 9980 (+86-575-8213 7256); Fax: +86-575-8212 7256

Email: sales@ourten.com

www.ourten.com

Thank you for choosing Ourten!