

Model OT-ES005

Industrial Ethernet Switch

Product Datasheet

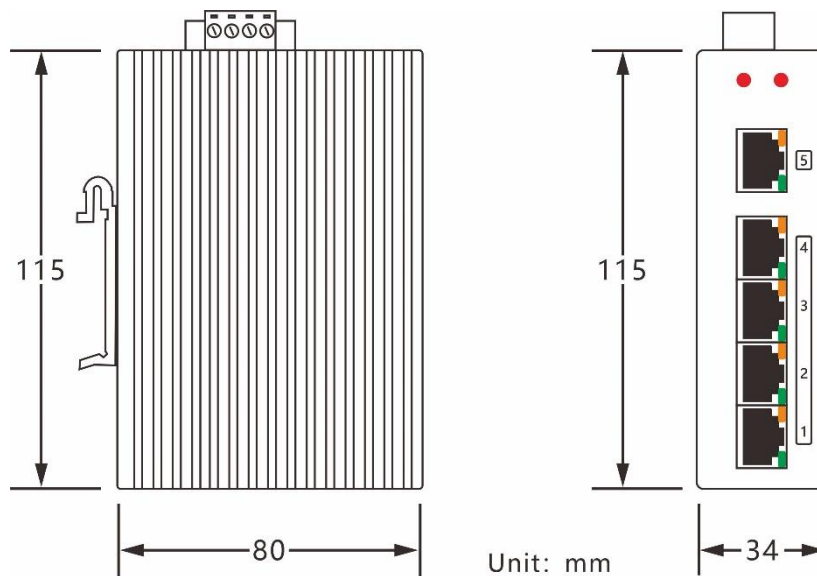


OT-ES005 Industrial Ethernet Switch supports 5 x 10/100Base-TX RJ45 ports. Its wide operating temperature range and port surge protection make it ideal for high-traffic, real-time outdoor environments. This switch is widely applicable in industrial automation, roadways, schools, residential communities, rail transport, and power monitoring systems.

Features

- ◆ Comply with IEEE802.3/802.3u/802.3x store-and-forward mechanism
- ◆ All ports are capable of wire-speed forwarding to ensure non-blocking message transmission
- ◆ Features port auto-flip (Auto MDI/MDIX) function
- ◆ Support redundant power input with overload and reverse polarity protection
- ◆ Support full-load operation in a temperature range of -40°C to 85°C
- ◆ Low power consumption with a fanless design
- ◆ Level 4 Industrial Design

Dimension

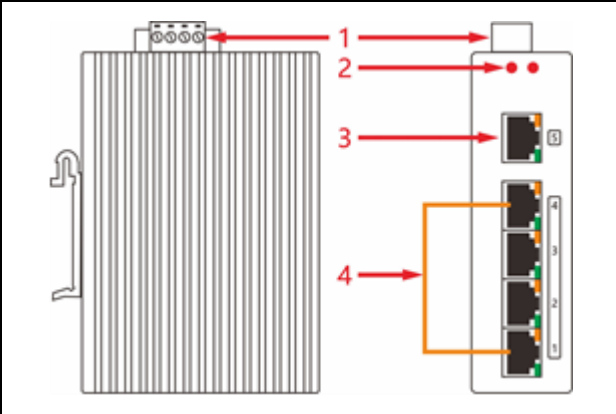


Note: Dimension error value ± 1 mm

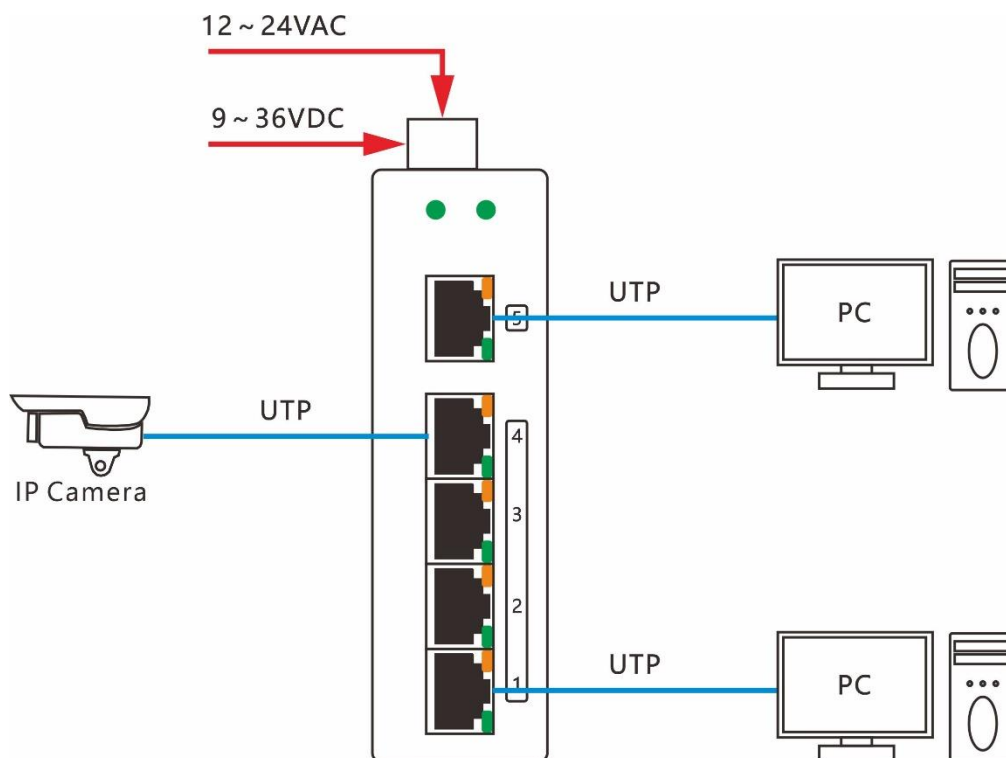
Technical Parameter

Category		Description
Interface	RJ45 port	10/100Base-TX, auto-negotiation
	Power Interface	5.08mm industrial terminal
Standards Conformance	Standards Compliance	IEEE802.3、IEEE802.3u、IEEE 802.3x
Power	Power Input	12-24VAC / 9-36VDC redundant input
Mechanical Characteristic	Enclosure	High-strength corrugated profile case
	Protection Rating	IP40
	Installation	DIN-rail mounting
	Weight	290g/PC
Switching Characteristic	Architecture	Store and forward
	Switching Bandwidth	1.8G
	Packet Forwarding Rate	1.33Mpps
	Buffer Memory	1 Mb
Operating Environment	Operating Temperature	-40°C~85°C
	Storage Temperature	-45°C~85°C
	Operating Humidity	<95% (Non-condensation)

Installation Instructions

	NO	Step
		1
	2	Power status indicator (2)
	3	Network port interface (3)
	4	Network port interface (4)

Connection Diagram



Shaoxing Ourten Electronics Co., Ltd.

#1 Liando U Valley, No. 1999 Wuxing West Road, Shangyu, Zhejiang, China

Tel: +86-21-5888 9980 (+86-575-8213 7256); Fax: +86-575-8212 7256

Email: sales@ourten.com

www.ourten.com

Thank you for choosing Ourten!

*Specifications are subject to change without notice.